

Accessories
Wall mounted shelf for 3 baskets
1680mm

ITEM # _____

MODEL # _____

NAME # _____

SIS # _____

AIA # _____



864281 (DWWS3)

Wall mounted shelf for 3
baskets 1680mm

Short Form Specification

Item No. _____

Constructed in 304 AISI stainless steel. Square 25x25mm tubular frame. Fitted with bottom tray and drain hole. Designed for baskets 500x500mm.

Main Features

- Designed to transport 500x500 mm dishwashing baskets.

Construction

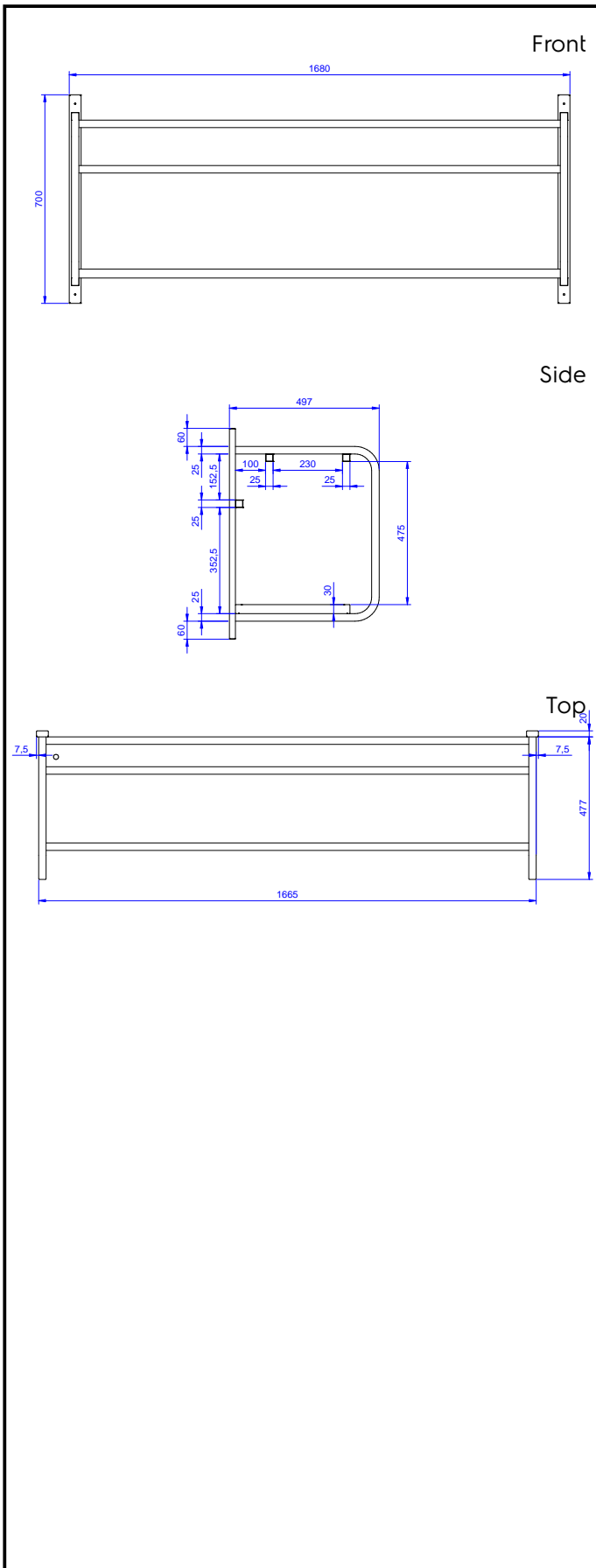
- Capacity: from 1 to 4 baskets (based on model).
- Square section frame 25x25 mm.
- 304 AISI stainless steel construction throughout.

Sustainability

- Fitted with bottom tray and drain hole.



APPROVAL: _____



Key Information:

External dimensions, Width:	1680 mm
864281 (DWWS3)	
External dimensions, Depth:	500 mm
External dimensions, Height:	700 mm
Net weight:	16 kg